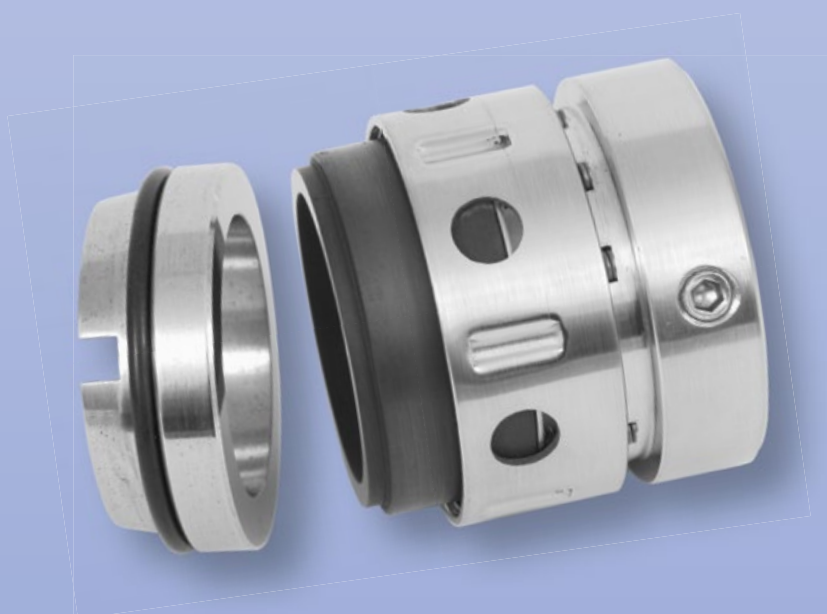




Gleitringdichtungen für Kompressoren



GLEITRINGDICHTUNGEN FÜR KOMPRESSOREN



J & E HALL® HS18-20 SCREW



HOWDEN® WRV205

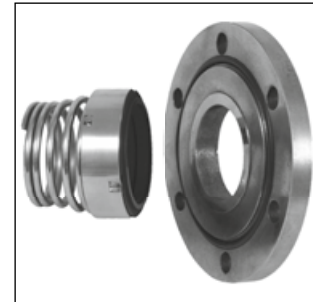


HOWDEN® WRV225 MK1



SABROE® TCM028

APV Hall® HS18-20 Screw	Howden® WRV255 Mk5
APV Hall® V54 6 And 8 Cylinder	Howden® WRV321
APV Hall® V92 Range	Sabroe® CM018
APV Hall® V127 Range	Sabroe® CM024, 026 And 028
Bitzer® 4F, 6F And 6G	Sabroe® SAB 128 Non-bellows
Bitzer® 4N, 4P, 4T And 4U	Sabroe® SAB 163 Non-bellows
Bock® AM And BFO Ranges	Sabroe® SMC100 To 104
Bock® F And FK Ranges	Sabroe® TCM024, 026 And 028
Carrier® 05K	Sabroe® TSMC108 To 165
Carrier® 05G	Sabroe® VMY225
Carrier® 05G Emergency Clutch	Sabroe® VMY236
Carrier® 05H	Sabroe® VMY325
Carrier® V60	Sabroe® VMY336
Copeland® 2, 4 And 6 Cylinder	Sabroe® VMY447
Copeland® 8 Cylinder	Sabroe® VMY525
Daikin® C55 4, 6 And 8 Cylinder	Sabroe® VMY536
Daikin® C75 4, 6 And 8 Cylinder	Stal® P24 And PK24
Dunham Bush® Big 4	Stal® P42
Frick® RDB Range	Stal® PK6, PK8
Frick® RWB Range	Stal® S50, S51, S56 And S57
Frick® TDSH/GDSH Range	Stal® S70, S71, S73 And S75
Gram® HC075	Thermo-King® "22-0777" Seal
Gram® HC100	Thermo-King® "22-0778" Seal
Grasso® RC9 Non-bellows	Thermo-King® "22-0899" Seal
Grasso® RC11 Non-bellows	Thermo-King® "22-1100" Seal
Howden® WRV163 And XRV163	Thermo-King® "22-1101" Seal
Howden® WRV204 Mk4	Vilter® 320VMC to 350VMC
Howden® WRV204 Mk5	Vilter® 440 With 2.500" Crank
Howden® WRV204 Mk6	Vilter® 450 With 2.500" Crank
Howden® WRV205	Witt® GP42 Pump
Howden® WRV255 Mk1 To 4F	Witt® GP51 Pump



COPELAND® 4CC



CARRIER® 05G



J & E HALL® V54



STAL® P24